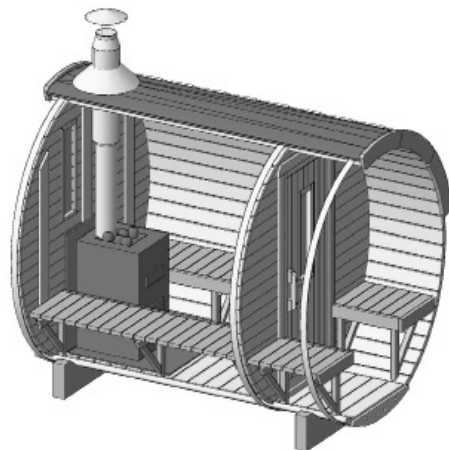
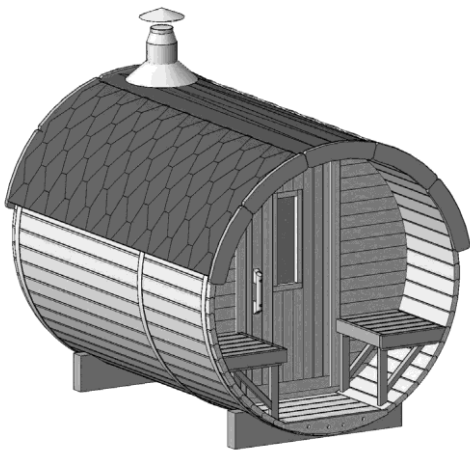
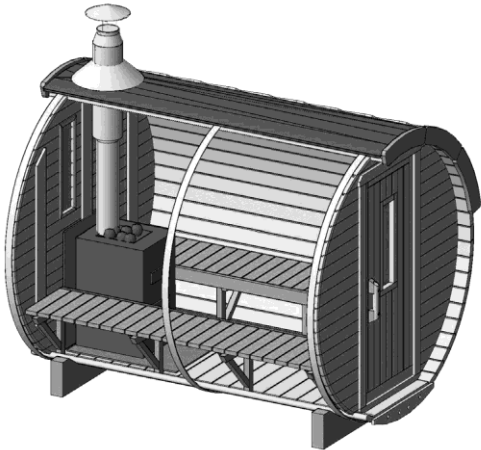
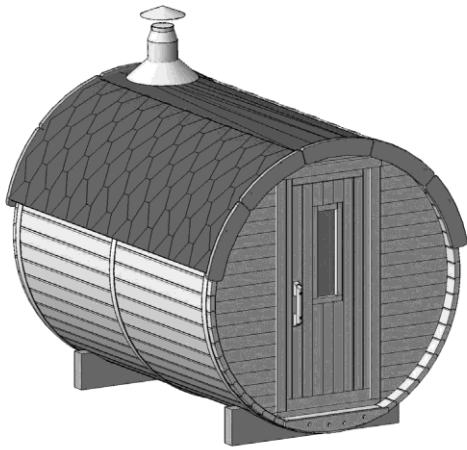




Hot Barrel

**Sauna Barrel 2.5 m**

health, beauty, peace of mind



## Specifications

2.5M LENGTH Ø1.9M	WITH TERRACE	WITHOUT TERRACE
<b>Wood</b>	Spruce or thermo wood	
<b>Shape</b>	Round	
<b>The internal volume of sauna room, m<sup>3</sup></b>	4.69	6.04
<b>Thickness of walls, mm</b>	38	
<b>Total height, m</b>	2.55	
<b>External dimensions (WxL), mm</b>	2006 x 2560	
<b>Length of sauna room, mm</b>	1725	2224
<b>Number of windows</b>	2	
<b>Weight, kg</b>	500-700	
<b>Number of persons</b>	2-4	
<b>Assembling hour (2 people)</b>	4	
<b>Size of windows (WxH), mm</b>	213 x 665	
<b>Size of doors (WxH), mm</b>	690 x 1600	

### Standard set

- Sauna barrel;
- Roof covered with bitumen shingles of your selected color;
- Stainless steel tightening bands;
- Doors with a lock and a tempered glass window;
- Tempered glass windows in the back wall (brown);
- Sauna benches;
- Heat-resistant plates for the heater.

### options

- 2 layout plans: with or without terrace;
- Front doors with a large window or full glass doors;
- Large windows;
- Full glass back wall;
- 4 types of heater and chimney KITS;
- Roof cover: red, black, green bitumen shingles or wooden shingles;
- Additional products can be found on page 6.

## Windows and doors

Window's size is 213 x 665 mm, door's size is 690 x 1600 mm. Tempered glass are used; the windows ensure lower heat transfer to the outside, a lot of light coming inside, and long usage time.



# Windows and doors



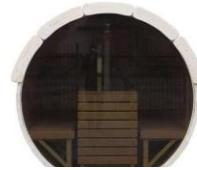
For all sauna barrels:  
Standard 2 windows,  
back wall



For 1.9 m diameter  
sauna barrels: Custom  
big window, back wall



For 2.2 m diameter  
sauna barrels: Custom  
big window,  
back wall



For all sauna barrels:  
Custom glass back wall



For all sauna barrels:  
2 windows, front  
wall



Standard wooden  
front door



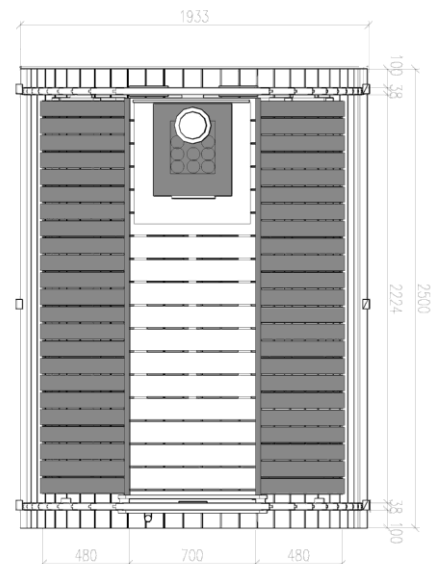
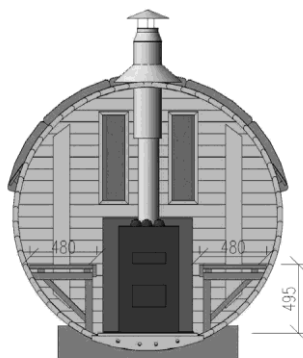
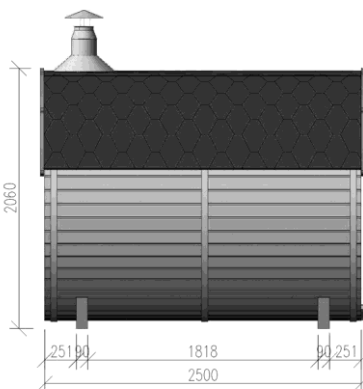
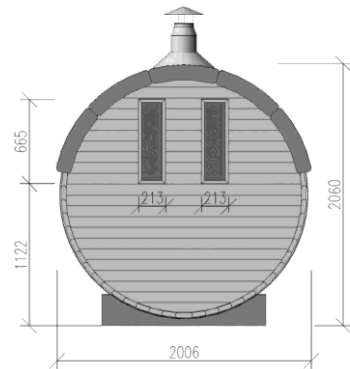
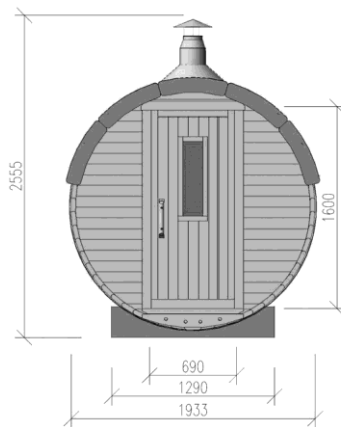
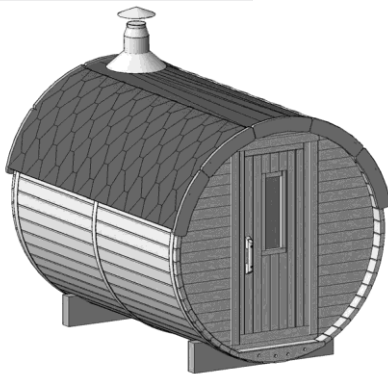
Custom wooden  
front door with a  
large window



Custom glass front  
door

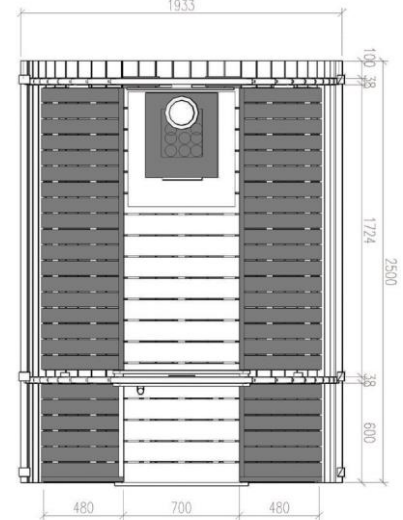
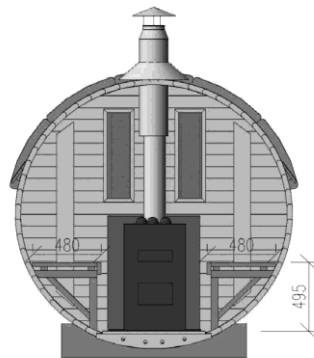
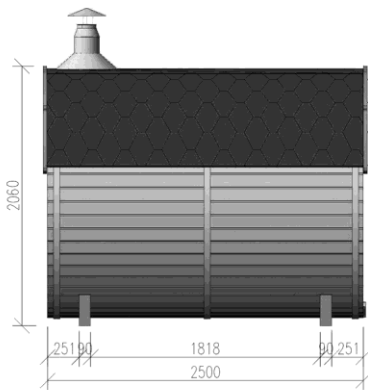
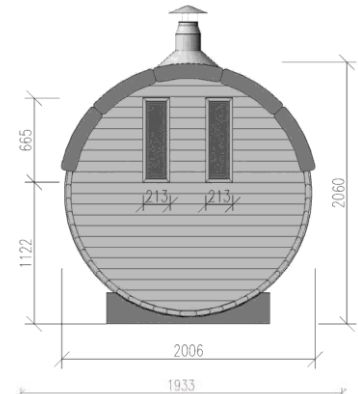
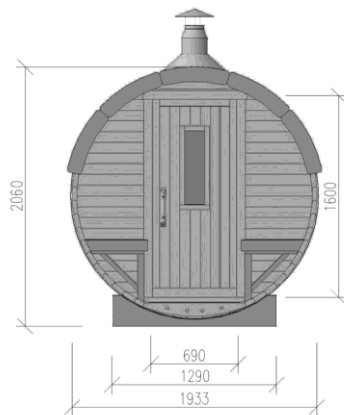
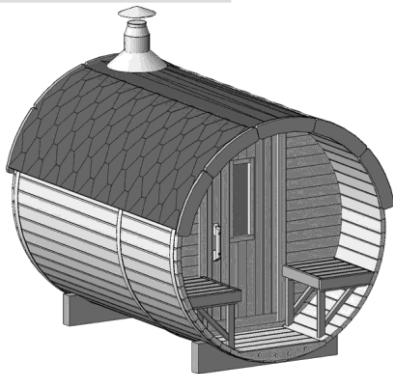
# Sauna Barrel 2.5m length / Ø1.9m

**WITHOUT  
TERRACE**



# Sauna Barrel 2.5m length / Ø1.9m

## WITH TERRACE



## Heater and chimney KITS

### ELECTRIC HEATER HARVIA ASSA, 6KW 400V

Reliable and affordable basic stove. Harvia Assa is a traditional wall-mounted heater with the best price and quality. The operating switches are placed at the bottom of the stove. Heater is a stylish black color. Stones and 400V connection included. The recommended size of the sauna room is 5–8 m<sup>3</sup>.



### WOODBURNING STOVE „HARVIA M3“ 16.5KW

A stylish stove for the smaller saunas. The Harvia M3 has a classic design and is suitable for the smaller wood burning saunas. A recommended size of the sauna room is 4.5–13 m<sup>3</sup>. Stones and standard chimney KIT included.



### WOODBURNING STOVE „HARVIA M3 SL“ 16.5KW

The SL model (outside firewood feeding) is designed for people who want to conveniently heat their sauna from an outside. Stones and standard chimney KIT included.





## Heater and chimney KITS

### STANDARD CHIMNEY KIT

A Standard chimney KIT is made from stainless steel. This Standard chimney can withstand 450 degrees gas. Its outer diameters is 20 cm, and inner diameter is 11.5 cm.



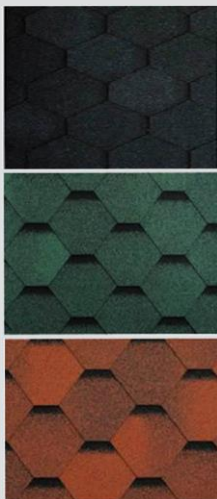
### „LUXURY“ CHIMNEY KIT

A „Luxury“ chimney KIT is CE marked (under 1856-1 EN European Standardization Certificate). It is made from shiny stainless steel. It either use AISI 316 and/or AISI 304 as standards and insulation. This „Luxury“ chimney can withstand 600 degrees gas. Its outer diameters is 17 cm, and inner diameter is 11.5 cm.

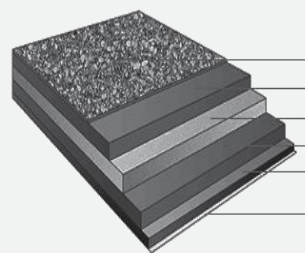


## Roof shingles

### BITUMEN SHINGLES



6 layer bitumen shingles are made from a durable and highly resistant fiber glass base coated with the polymer-reinforced bitumen mix which includes a high quality bitumen and an aggregate. The top layer of the shingles is covered with mineral granules ensuring the protection from UV as well as from other weather conditions. The granules are painted using a thermal method, which means that a pigment is burned-in into the surface of granules and this guarantees a long durability of the color. The bottom of the shingles is an adhesive polymer-reinforced bitumen layer protected with an easily removable silicon membrane. Due to the sun heat the overlapped tiles on the top stick to each other thus forming a double hydro-insulating layer which guarantees an excellent leak resistance of the roof. A color of the roof shingles can be chosen from black, green or red. A warranty term for the shingles is 15 years!



3. Top layer - mineral surfacing
2. Bitumen mass
1. Base - fiber glass
2. Bitumen mass
4. Bottom layer - adhesive polymer-reinforced bitumen
5. Protective layer - easily removed silicon membrane

## Type of wood

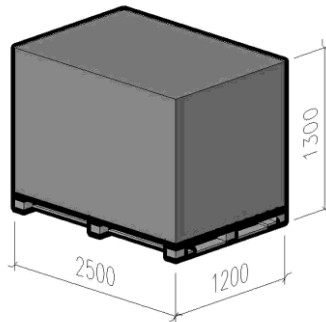
### SPRUCE



We mainly use Nordic spruce, which comes from Scandinavia. The light, golden-white softwood radiates a friendly warmth. Every single board used for our Sauna Barrel has its own individual character and history, and this makes our Sauna Barrel a real natural and unique product.



# Transportation



**Sauna Barrel KIT**

The Sauna Barrel is delivered to a customer not assembled (packed on a pallet (KIT)) but fully complete. Assembly instruction of Sauna Barrel you can download and print from [www.hotbarrel.co.uk](http://www.hotbarrel.co.uk).

# Accessories



**wooden ladle**

Wooden ladle is great for sprinkling water on the stones to create a sauna steam.



**head rest**

The elegantly designed head rest is a beautiful touch for your sauna. As well it is a comfortable accessory.



**sauna light**

Protection level IP44. Bulb E14 (max. 40 W) is not included in the delivery.



**sauna light cover**

Beautiful wooden sauna light cover.



**Thermometer - hydrometer**

Thermometer - hydrometer helps you to keep an eye on both the sauna temperature and air humidity.



**back rest**

Back rest helps to sit more comfortably in the sauna. Alder or aspen wood.



**clothes hanger**

An excellent solution for hanging towels in the changing room. It is made from durable wood and is wall-mounted.



**wooden bucket for water**

Our wooden buckets are of high-quality. The plastic inner part prolongs a life of the product and makes the cleaning easy.



**Sauna hats**

Sauna hats made from 100% wool (800 g/m<sup>2</sup>) with a place for your picture, logo or phrase.



# Accessories



**22 liters water tank**

The water tank (22 l) is mounted directly above the heater. The water heats up quickly because the pipe going through the tank functions as a wall of the water tank.



**wood burning heater safety**

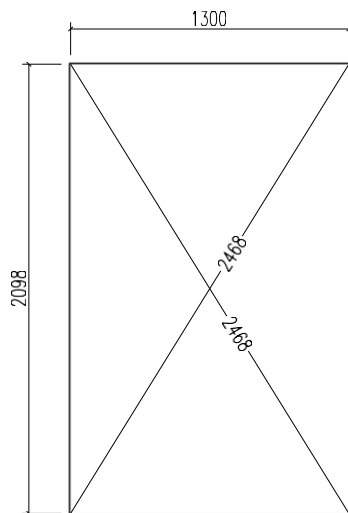
Safety fence is made from aspen or alder wood. It protects and allows to keep a proper safety distances from hot wood burning heaters.



**electric ovens safety fence**

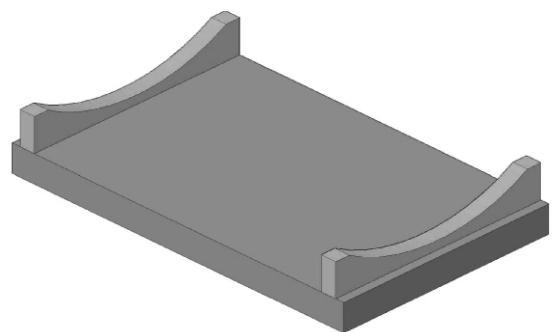
Safety fence is made from aspen or alder wood. It protects and allows to keep a proper safety distances from hot wood burning heaters.

# Foundation



It is very important to have a proper foundation for your Sauna Barrel. Therefore we recommend making the foundation according to the sketches here.

First of all, foundation must be prepared according to the landscape and ground conditions. Consult a qualified builder or an engineer to prepare a proper foundation, which fits your location. Make sure to complete the site preparation and the foundation before unpacking and assembling the Sauna Barrel.



## Usage

Saunas typically take 30-40 minutes to heat up. The recommended temperature is 80-90° C. The thermometer should be located at head level in the sauna. It should be located away from the heater or the door so it will not give a false reading.

Enjoy the many health benefits of relaxing heat in your own Sauna Barrel just remember that staying in the hot Sauna for long periods of time makes the body temperature rise, which may be dangerous. The recommended time inside a Sauna Barrel is from 10 to 15 minutes. Take a five-minute break and then repeat. Also you should keep safety instructions and keep away from the stove when it is hot. Never throw water on the stones when there are people near the stove, because hot steam

may burn their skin. Be very careful when moving in the Sauna, as the benches and floors may be slippery. Do not hang clothes to dry in the Sauna, as this may cause a risk of fire.

Also check your body for any metal (jewelry and zippers, for example) in order to prevent it from burning your body when it quickly heats up in the facility.

We strongly recommend shouldn't use the Sauna to pregnant women and neither should young children.

## Maintenance

As wood is a natural material, it can change through time. Cracks of various sizes, changes of the color as well as a structure of the wood are not the errors, but a feature of a wood.

Natural wood (not impregnated) becomes grayish after having been left untouched for a while. Later it can turn blue and get covered with the mold. Therefore, you should immediately impregnate the wood to protect the products.

We strongly recommend that you impregnate the door and windows with a wood impregnation agent both the inside and outside of them, because the doors and

windows can become twisted otherwise. In general, we recommend consulting a specialist regarding the paints suitable for an unprocessed softwood and follow the manufacturers' of paints instructions. Properly painting the Sauna Barrel will extend its lifetime. Besides that, we suggest you thoroughly inspecting the Barrel every six months and checking if it needs re-painting or else.

It's NOT advisable to paint the Sauna walls before assembling it – this is best done when the Sauna Barrel has been already assembled and when the weather is fine. However, if you wish to paint some parts in different colors, this should be done before the Sauna is assembled.

